

Technical data sheet



Product features

Fry Top Griddle 65x48 gas durable chrome combined without cabinet

Model	SAP Code	00021019
FTHRC 60 GL	A group of articles - web	Grills and grill plates



- Top type: Combined
- Griddle dimensions [mm x mm]: 650 x 480
- Griddle thickness [mm]: 10.00
- Container for liquid fat: Yes
- Independent heating zones: Separate control for each heating zone
- Maximum device temperature [°C]: 300
- Surface finish: durable chrome
- Removable rim: No
- Ignition: Piezo

SAP Code	00021019	Power gas [kW]	8.000
Net Width [mm]	658	Type of gas	Natural gas, propane butane
Net Depth [mm]	609	Griddle dimensions [mm x mm]	650 x 480
Net Height [mm]	290	Top type	Combined
Net Weight [kg]	45.00		

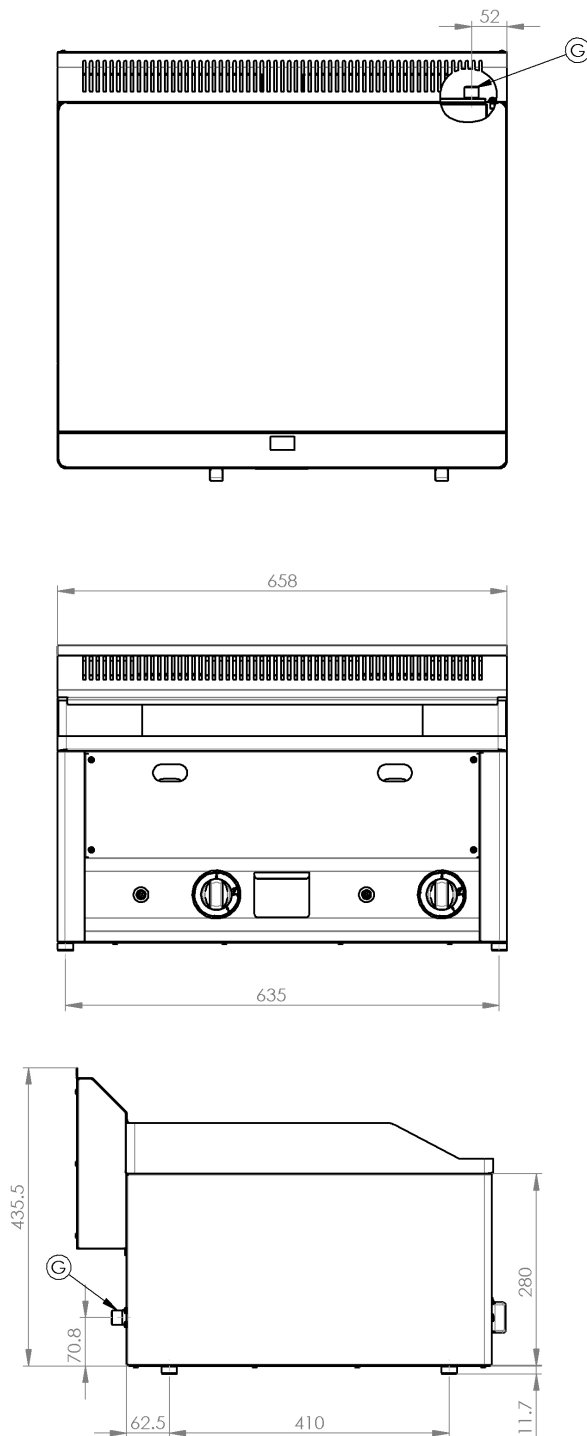
Technical data sheet



Technical drawing

Fry Top Griddle 65x48 gas durable chrome combined without cabinet

Model	SAP Code	00021019
FTHRC 60 GL	A group of articles - web	Grills and grill plates



Technical data sheet



Product benefits

Fry Top Griddle 65x48 gas durable chrome combined without cabinet

Model	SAP Code	00021019
FTHRC 60 GL	A group of articles - web	Grills and grill plates

1

Safety element - thermocouple

Safe service for staff
There is no unnecessary gas leakage
long life

- Savings on service interventions
- easy and faster service

7

A kernel for use on a table or on a bedding

variable
Possibility to place in smaller spaces

- easy manipulation
- saving costs on the bedding

2

Nationheres

long life
stainless steel resistance of AISI 304
the material does not ruer

- Savings on service interventions
- Easy cleaning and maintenance of equipment

3

Degree of protection of controls IPX4

maintenance -free
water resistance
long life

- Savings on service interventions
- easy cleaning of the device

4

Waste fluid socket

ensures oil dripping into a socket

- easy maintenance
- easy to clean

5

Tall non -removable hem

Better Hygienic Conditions
Preventing fat spraying on a secondary device

- easy maintenance
- easy to clean

6

Combined plate made of chrome steel

The product is less baked
Allows preparation for smooth or grooved plate

- saving time when preparing meals
- Easy to prepare different types of dishes

Technical data sheet



Technical parameters

Fry Top Griddle 65x48 gas durable chrome combined without cabinet

Model	SAP Code	00021019
FTHRC 60 GL	A group of articles - web	Grills and grill plates

1. SAP Code:

00021019

2. Net Width [mm]:

658

3. Net Depth [mm]:

609

4. Net Height [mm]:

290

5. Net Weight [kg]:

45.00

6. Gross Width [mm]:

725

7. Gross depth [mm]:

710

8. Gross Height [mm]:

540

9. Gross Weight [kg]:

50.00

10. Device type:

Gas unit

11. Construction type of device:

Table top

12. Power gas [kW]:

8.000

13. Ignition:

Piezo

14. Type of gas:

Natural gas, propane butane

15. Protection of controls:

IPX4

16. Material:

AISI 430

17. Surface finish:

durable chrome

18. Maximum device temperature [°C]:

300

19. Minimum device temperature [°C]:

50

20. Adjustable feet:

Yes

21. Griddle dimensions [mm x mm]:

650 x 480

22. Griddle thickness [mm]:

10.00

23. Container for liquid fat:

Yes

24. Independent heating zones:

Separate control for each heating zone

25. Removable rim:

No

26. Uniform heating:

Yes

27. Top type:

Combinated

28. Connection to a ball valve:

1/2